



Vehicle History Report™

US \$39.99

2007 CHEVROLET EXPRESS G3500 VIN: 1GCHG352171175856 VAN 6.6L V8 F DIESEL REAR WHEEL DRIVE		Accident reported	
		5 Service history records	
		2 Previous owners	
		Types of owners: Commercial, Personal	
		Last owned in Alberta	
		185,789 Last reported odometer reading	

This CARFAX Vehicle History Report is based only on information supplied to CARFAX and available as of 10/15/22 at 9:23:44 AM (CDT). Other information about this vehicle, including problems, may not have been reported to CARFAX. Use this report as one important tool, along with a vehicle inspection and test drive, to make a better decision about your next used car.

Ownership History The number of owners is estimated	Owner 1	Owner 2
Year purchased	2007	2008
Type of owner	Commercial	Personal
Estimated length of ownership	8 months	14 yrs. 9 mo.
Owned in the following states/provinces	Nevada	Alberta
Estimated miles driven per year	---	13,041/yr
Last reported odometer reading	5	185,789

Title History CARFAX guarantees the information in this section	Owner 1	Owner 2
Salvage Junk Rebuilt Fire Flood Hail Lemon	<input checked="" type="checkbox"/> Guaranteed No Problem	<input checked="" type="checkbox"/> Guaranteed No Problem
Not Actual Mileage Exceeds Mechanical Limits	<input checked="" type="checkbox"/> Guaranteed No Problem	<input checked="" type="checkbox"/> Guaranteed No Problem

GUARANTEED - None of these major title problems were reported by a state Department of Motor Vehicles (DMV). If you find that any of these title problems were reported by a DMV and not included in this report, CARFAX will buy this vehicle back. [Register](#) | [View Terms](#) | [View Certificate](#)

Additional History Not all accidents / issues are reported to CARFAX	Owner 1	Owner 2
Total Loss No total loss reported to CARFAX.	<input checked="" type="checkbox"/> No Issues Reported	<input checked="" type="checkbox"/> No Issues Reported
Structural Damage CARFAX recommends that you have this vehicle inspected by a collision repair specialist.	<input checked="" type="checkbox"/> No Issues Reported	<input checked="" type="checkbox"/> No Issues Reported
Airbag Deployment No airbag deployment reported to CARFAX.	<input checked="" type="checkbox"/> No Issues Reported	<input checked="" type="checkbox"/> No Issues Reported
Odometer Check No indication of an odometer rollback.	<input checked="" type="checkbox"/> No Issues Indicated	<input checked="" type="checkbox"/> No Issues Indicated
Accident / Damage Accidents reported: 11/03/2011 and 01/11/2017.	<input checked="" type="checkbox"/> No Issues Reported	Accident Reported
Manufacturer Recall No open recalls reported to CARFAX. Check for open recalls on GM vehicles at recalls.gm.com .	<input checked="" type="checkbox"/> No Recalls Reported	<input checked="" type="checkbox"/> No Recalls Reported
Basic Warranty Original warranty estimated to have expired.	Warranty Expired	Warranty Expired



Detailed History

Owner 1

Purchased: 2007

Commercial Vehicle

Date	Mileage	Source	Comments
01/08/2007	2	Midway Chevrolet Phoenix, AZ 602-866-0102 midwaychevy.com ★ 4.1 / 5.0 394 Verified Reviews ✓ ♥ 7,094 Customer Favorites	Vehicle serviced - Pre-delivery inspection completed
04/25/2007		Nevada Motor Vehicle Dept. North Las Vegas, NV	Titled or registered as commercial vehicle
08/31/2007	5	Nevada Motor Vehicle Dept. Las Vegas, NV Title #NV002085540-3	Title issued or updated - First owner reported

Owner 2

Purchased: 2008

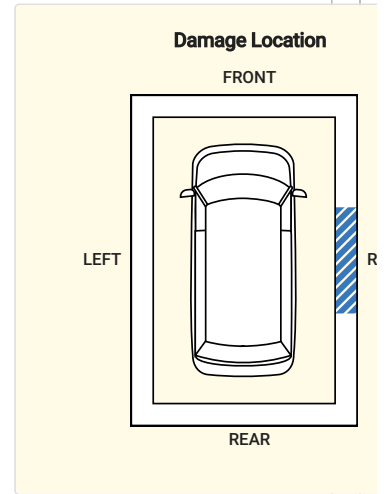


Low mileage! This owner drove less than the industry average of 15,000 miles per year.

Personal Vehicle
13,041 mi/yr

Date	Mileage	Source	Comments
01/08/2008	173	Alberta Motor Vehicle Dept. Calgary, AB	Odometer reading reported - Odometer reported as 278 kilometers
01/24/2008	182	Dealer Inventory	Vehicle offered for sale - Odometer reported as 293 kilometers
02/04/2008		Alberta Motor Vehicle Dept. Calgary, AB	Registration issued or renewed - New owner reported - Vehicle color noted as White
04/24/2008		Alberta Motor Vehicle Dept. Calgary, AB	Registration issued or renewed - Vehicle color noted as White
08/22/2008		Alberta Motor Vehicle Dept. Calgary, AB	Registration issued or renewed - Vehicle color noted as White
09/03/2009		Alberta Motor Vehicle Dept. Calgary, AB	Registration issued or renewed - Vehicle color noted as White
08/31/2010		Alberta Motor Vehicle Dept. Calgary, AB	Registration issued or renewed - Vehicle color noted as White
11/18/2010	43,868	Midas Auto Service Experts Calgary, AB 403-284-1117 midas.com ♥ 9 Customer Favorites	Vehicle serviced - Cooling system checked - Odometer reported as 70,599 kilometers
09/01/2011		Alberta Motor Vehicle Dept. Calgary, AB	Registration issued or renewed - Vehicle color noted as White
11/03/2011		Alberta Damage Report	Accident reported - Damage to right side

CARFAX HAS THE MOST ACCIDENT & DAMAGE INFORMATION



08/29/2012		Alberta Motor Vehicle Dept. Calgary, AB	Registration issued or renewed - Vehicle color noted as White
08/31/2013		Alberta Motor Vehicle Dept. Calgary, AB	Registration issued or renewed - Vehicle color noted as White
09/02/2014		Alberta Motor Vehicle Dept. Calgary, AB	Registration issued or renewed - Vehicle color noted as White
08/24/2015		Alberta Motor Vehicle Dept. Calgary, AB	Registration issued or renewed - Vehicle color noted as White
08/26/2016		Alberta Motor Vehicle Dept. Calgary, AB	Registration issued or renewed - Vehicle color noted as White
09/21/2016	145,879	Kal Tire Calgary, AB 403-284-4809 https://kaltire.com ❤️ 1 Customer Favorite	Vehicle serviced - Odometer reported as 234,769 kilometers
01/11/2017		Alberta Damage Report	Accident damage claim reported - Claim amount was CAD\$0 - Claim amount was updated on 10/28/2017.
09/01/2017		Alberta Motor Vehicle Dept. Calgary, AB	Registration issued or renewed - Vehicle color noted as White
08/02/2018	174,888	Great Canadian Oil Change Calgary, AB 403-282-7031 gcocltld.ca	Vehicle serviced - Oil and filter changed - Odometer reported as 281,455 kilometers
08/22/2018		Alberta Motor Vehicle Dept. Calgary, AB	Registration issued or renewed - Vehicle color noted as White
08/07/2019		Alberta Motor Vehicle Dept. Calgary, AB	Registration issued or renewed - Vehicle color noted as White
10/24/2019		Alberta Motor Vehicle Dept. Calgary, AB	Registration issued or renewed - Vehicle color noted as White
11/13/2019	176,363	High Country Chevrolet High River, AB 403-652-2000 highcountrychev.com ❤️ 4 Customer Favorites	Vehicle serviced - EGR valve replaced - Odometer reported as 283,829 kilometers
04/19/2021		Alberta Motor Vehicle Dept. Airdrie, AB	Registration issued or renewed - Vehicle color noted as White
03/30/2022	185,789	Alberta Motor Vehicle Dept. Calgary, AB	Registration issued or renewed - Vehicle color noted as White - Odometer reported as 298,998 kilometers



Glossary

Accident Indicator

CARFAX receives information about accidents in all 50 states, the District of Columbia and Canada.

Not every accident is reported to CARFAX. As details about the accident become available, those additional details are added to the CARFAX Vehicle History Report. CARFAX recommends that you have this vehicle inspected by a qualified mechanic.

- According to the National Safety Council, Injury Facts, 2021 edition, 5% of the 276 million registered vehicles in the U.S. were involved in an accident in 2019. Over 77% of these were considered minor or moderate.
- This CARFAX Vehicle History Report is based only on information supplied to CARFAX and available as of 10/15/22 at 9:23:44 AM (CDT). Other information about this vehicle, including problems, may not have been reported to CARFAX. Use this report as one important tool, along with a vehicle inspection and test drive, to make a better decision about your next used car.

Canadian Damage Report

CARFAX receives damage reports for many accidents occurring in the following Canadian Provinces: Ontario, Alberta, Nova Scotia, New Brunswick, Prince Edward Island, Newfoundland, Yukon territories, Northwest territories, and Nunavut. These reports may be completed following an accident or other incident. Some include a damage claim amount. This amount represents physical damage to the vehicle and depending on the accident, damage to other vehicles and/or property. It does not include expenses like towing, a rental car or any medical related items.

Commercial

Vehicle was registered for business purposes.

First Owner

When the first owner(s) obtains a title from a Department of Motor Vehicles as proof of ownership.

New Owner Reported

When a vehicle is sold to a new owner, the Title must be transferred to the new owner(s) at a Department of Motor Vehicles.

Ownership History

CARFAX defines an owner as an individual or business that possesses and uses a vehicle. Not all title transactions represent changes in ownership. To provide estimated number of owners, CARFAX proprietary technology analyzes all the events in a vehicle history. Estimated ownership is available for vehicles manufactured after 1991 and titled solely in the US including Puerto Rico. Dealers sometimes opt to take ownership of a vehicle and are required to in the following states: Maine, Massachusetts, New Jersey, Ohio, Oklahoma, Pennsylvania and South Dakota. Please consider this as you review a vehicle's estimated ownership history.

Title Issued

A state issues a title to provide a vehicle owner with proof of ownership. Each title has a unique number. Each title or registration record on a CARFAX report does not necessarily indicate a change in ownership. In Canada, a registration and bill of sale are used as proof of ownership.

Follow Us:  facebook.com/CARFAX  [@CARFAXinc](https://twitter.com/CARFAXinc)  [About CARFAX](https://www.youtube.com/AboutCARFAX)

CARFAX DEPENDS ON ITS SOURCES FOR THE ACCURACY AND RELIABILITY OF ITS INFORMATION. THEREFORE, NO RESPONSIBILITY IS ASSUMED BY CARFAX OR ITS AGENTS FOR ERRORS OR OMISSIONS IN THIS REPORT. CARFAX FURTHER EXPRESSLY DISCLAIMS ALL WARRANTIES, EXPRESS OR IMPLIED, INCLUDING ANY IMPLIED WARRANTIES OF MERCHANTABILITY OR FITNESS FOR A PARTICULAR PURPOSE.

© 2022 CARFAX, Inc., part of S&P Global. All rights reserved.
10/15/22 9:23:44 AM (CDT)

I have reviewed and received a copy of the CARFAX Vehicle History Report for this 2007 CHEVROLET EXPRESS vehicle (VIN: 1GCHG352171175856), which is based on information supplied to CARFAX and available as of 10/15/22 at 10:23 AM (EDT).

Customer Signature

Date

Dealer Signature

Date