



FABRICATION NORTH

BILL OF MATERIAL

PIPE

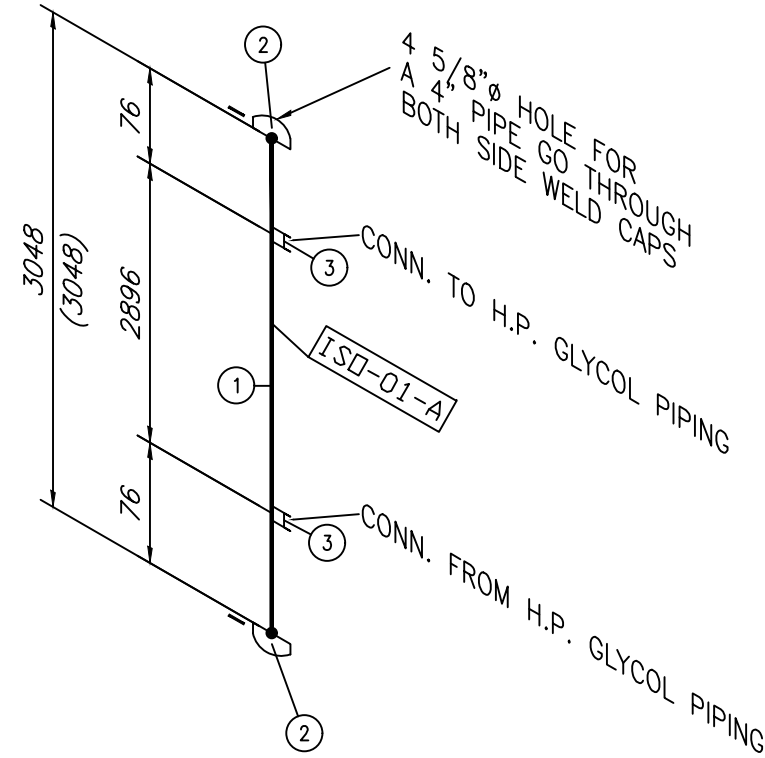
MK	QTY	SIZE	SCHEDULE	DESCRIPTION	MATERIAL	S/F
1	4m	6"	80	PIPE SMLS	SA-106-B	S

WELD FITTINGS

MK	QTY	SIZE	SCHEDULE	DESCRIPTION	MATERIAL	S/F
2	2	6"	80	WELD CAP BW	SA-234-WPB	S

SCREWED & SOCKET WELD FITTINGS

MK	QTY	SIZE	RATING	DESCRIPTION	MATERIAL	S/F
3	2	1" ON 6"	3000#	SOCKOLET	SA-105N	S



NOTES:

1. REGISTERED QUALITY CONTROL PROGRAM AQP 1084.
2. EXTERIOR & INTERIOR OF PIPE TO BE FREE OF WELD SLAG, SPATTER, GREASE, MOISTURE, ETC.
3. ALL DIMENSIONS ARE IN MILIMETERS, UNLESS OTHERWISE NOTED.
4. ALL PIPING CUT LENGTHS ARE CALCULATED WITH A (3 mm) WELD GAP.
5. FOR TACK WELDS USE PES-WPS-02
6. DESIGN PRESSURE EQUALS MAWP.

DUMMY LEG	FITTING TO PIPE	SOL/TOL/WOL	TRANSITION WELD	PIG BAR WELD	SOCKET WELD
1.) PES-WPS-04	2.) PES-WPS-02	3.) PES-WPS-16A	4.) PES-WPS-02	5.) PES-WPS-01	

LINE NUMBER	GLYCOL HEAT SCAVENGER GGEX-100	SPEC	600#	FLUID SERVICE	NORMAL FLUID SERVICE	PIPE CODE	ASME B31.3 (LATEST EDITION & ADENDA)	WPS	PES-WPS-02/04	CLIENT	STOCK			
						DES. PRESS.	9928 kPag (1440 Psig)	CA	3mm (0.125")	<p>PROJECT 24" OD X 28'-0" S/S 1440 PSI AB SOUR DEHY. PACKAGE PIPING ISOMETRICS</p>				
						DES. TEMP.	38°C (100°F)	SANDBLAST	SSPC-SP6					
						MMDT	-29°C (-20°F)	PRIME	(1) COAT OF FAST PRIMER					
						TEST PRESS.	14893 kPag (2160 Psig)	PAINT	(1) COAT OF FINISH DTM F34 WARM GRAY					
						RADIOGRAPHY	100%	INSUL	N/A	DRAWN BY	CL	15-11-09		
						PWHT	YES	IMPACT TEST	NO	HEAT TRACE	NO	CHK'D BY	BX	15-11-09
										APP'D BY	DG	15-11-09		
REFERENCE DRAWINGS	REV.	REVISION DESCRIPTION	DATE	BY	CHK'D APP'D	DESIGN DATA								
										DRAWN BY	CL	15-11-09	FROM	GAS OUT PIPING
										CHK'D BY	BX	15-11-09	TO	GAS OUT PIPING
										APP'D BY	DG	15-11-09	JOB NO	30086
													DWG. NO.	30086-ISO-01
													SHT	1 OF 1
													REV.	1

The information contained in this drawing is the confidential property of Platinum Energy Services ULC. No part thereof shall be reproduced or communicated to a third party without written authorization from Platinum Energy Services ULC.