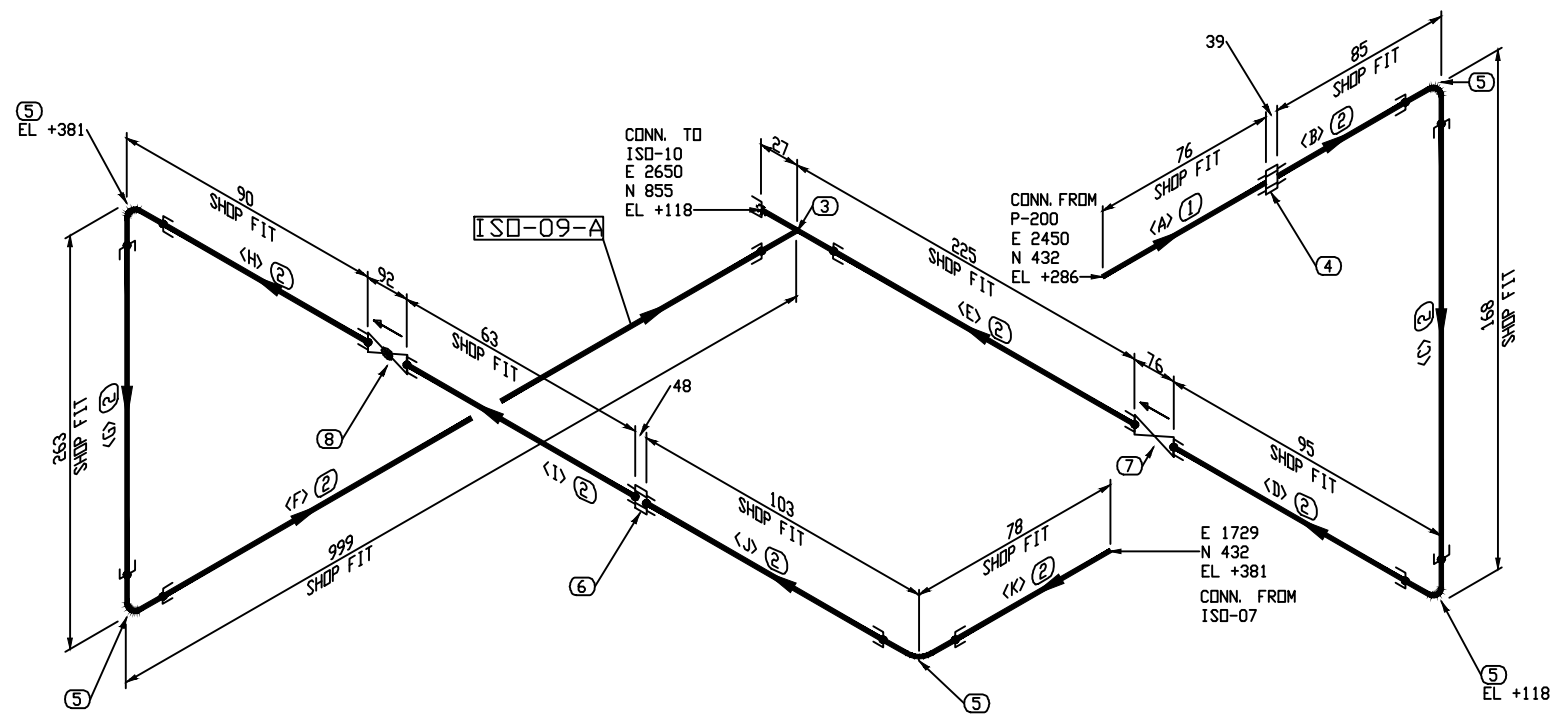


BILL OF MATERIAL					
MARK	SIZE	DESCRIPTION	QTY	WEIGHT	
1	1	PIPE, S/80 SMLS, SA-106-B TBE	76 MM	0.3	
2	1	PIPE, S/80 SMLS, SA-106-B PBE	1845 MM	6.0	
3	1X1	TEE, STR. SW 3000LB, SA-105N	1	1.5	
4	1	UNION, SWXTHRD 3000LB, SA-105N	1	1.4	
5	1	90 ELL, SW 3000LB, SA-105N	5	5.1	
6	1	UNION, SW 3000LB, SA-105N	1	1.4	
7	1	GATE VALVE, 800LB SW	1	3.8	
8	1	GLOBE VALVE, 800LB SW	1	4.0	
TOTAL FABRICATION WEIGHT				23.1	

CUT PIPE LENGTH

PIECE NUM	LENGTH (MM)	SIZE (INCH)
<A>	76	1
	58	1
<C>	114	1
<D>	68	1
<E>	198	1
<F>	945	1
<G>	209	1
<H>	63	1
<I>	63	1
<J>	76	1
<K>	51	1



THRD. & S.W. PIPING
 - SHOP RUN
 - SHOP CHECK
 - SHOP SUPPORT
 ON ASSEMBLY

NOTES:

- REGISTERED QUALITY CONTROL PROGRAM AQP 1084 FOR FACILITY AT 7550-114 AVE SE CALGARY AB.
REGISTERED QUALITY CONTROL PROGRAM AQP 1316 FOR FACILITY AT 502 MITCHELL STREET NORTH REDCLIFF AB.
- EXTERIOR & INTERIOR OF PIPE TO BE FREE OF WELD SLAG, SPATTER, GREASE, MOISTURE, ETC.
- ALL DIMENSIONS ARE IN MILLIMETERS, UNLESS OTHERWISE NOTED.
- ALL PIPING CUT LENGTHS ARE CALCULATED WITH A (3 mm) WELD GAP.
- FOR TACK WELDS USE PES-WPS-02
- DESIGN PRESSURE EQUALS MAWP.

The information contained in this drawing is the confidential property of Platinum Energy Services ULC. No part thereof shall be reproduced or communicated to a third party without written authorization from Platinum Energy Services ULC.

LINE NUMBER 1"-NPT_300_GLYCOL TO REBOILER		SPEC 600#	FLUID SERVICE NORMAL FLUID SERVICE	PIPE CODE ASME B31.3 (LATEST EDITION & ADENDA)	WPS PES-WPS-01/03		CLIENT STOCK
FITTING TO PIPE 		SOCKET WELD 		DES. PRESS. 9928 kPa (1440 PSI)	CA 1.6mm (0.0625")		PROJECT 24" OD X 28'-0" S/S 1440 PSI AB SOUR DEHY. PACKAGE PIPING ISOMETRIC
SOL/TOL/WOL 		TRANSITION WELD 		DES. TEMP. 38°C (100°F)	SANDBLAST SSPC-SP3	FROM P-200 & ISO-07	
PIG BAR WELD 		RFSO FLANGE 		MMDT -29°C (-20°F)	PRIME (1) COAT OF WARM GRAY DTM	TO ISO-10	
RFSO FLANGE 		SOCKET WELD 		TEST PRESS. 14892 kPa (2160 PSI)	PAINT (1) COAT OF WARM GRAY DTM	JOB NO 30086	
SOCKET WELD 		SOCKET WELD 		RADIOGRAPHY 10%	INSUL NO	DWG. NO. 30086-ISO-09	
SOCKET WELD 		SOCKET WELD 		PWHT NO	HEAT TRACE NO	SHT 1 OF 1	
SOCKET WELD 		SOCKET WELD 		IMPACT TEST NO		REV. 0	
SOCKET WELD 		SOCKET WELD 		DESIGN DATA			
SOCKET WELD 		SOCKET WELD 		DRAWN BY LL 17-07-07			
SOCKET WELD 		SOCKET WELD 		CHK'D BY BX 17-07-07			
SOCKET WELD 		SOCKET WELD 		APP'D BY DG 17-07-07			
SOCKET WELD 		SOCKET WELD 		REV. DESCRIPTION 0 ISSUED FOR CONSTRUCTION			
SOCKET WELD 		SOCKET WELD 		DATE 17-07-10			
SOCKET WELD 		SOCKET WELD 		BY LL			
SOCKET WELD 		SOCKET WELD 		CHK'D BX			
SOCKET WELD 		SOCKET WELD 		APP'D DG			