

**P&ID
&
GA' DRAWINGS**

**JOB#: 30086
24" od. X 28' s/s Dehy.
Process Piping**

The information contained in this drawing is the confidential property of Platinum Energy Services ULC. No part thereof shall be reproduced or communicated to a third party without written authorization from Platinum Energy Services ULC.

INSTRUMENT AND EQUIPMENT LIST

ITEM	QTY	DESCRIPTION
FE-6000	1	DANIEL SR 4" 600# METER RUN AGA3 2000, SOUR SERVICE
FFSD-6204	1	TBD
HTSD-6201	1	TBD
LC-6000	1	LEVEL CONTROLLER 2" NPT FISHER L-2 ON/OFF VERTICAL, 1 7/8" X 12" PVC DISPLACER
LCV-6000	1	1" NPT FISHER D3 c/w ADJUSTABLE TRIM 3/8"
LG-6200	1	LEVEL GAUGE TRANSPARENT, 14" C/C, 15PSI @ 400F, c/w GAUGE COCKS 3/4" NPT SOUR
LG-6000	1	LEVEL GAUGE QUESTECH 51 TM c/w 1-5-VALVES SOUR
PI-6100	1	PRESS GAUGE 1/2" NPT X 4" FACE 0-1500 PSI, BM, LF, DS, SS IN/OUT
PI-6200/6201	2	PRESS GAUGE 1/2" NPT X 2 1/2" FACE 0-30 PSI, BM, LF, DS, SS IN/OUT
PI-6300	1	PRESS GAUGE 1/2" NPT X 2 1/2" FACE 0-300 PSI, BM, LF, DS, SS IN/OUT
PRV-6300	1	1" NPT FISHER 627 REGULATOR, 5-20 PSI SET POINT, STEEL BODY, SWEET
PRV-6301 PRV-6302	3	1/4" NPT FISHER 67 CFR REGULATOR 0-35 PSI MAWP 250 PSI, SWEET
PRV-6303		
PRV-6305	1	FISHER MODEL 912 INSTRUMENT GAS REGULATOR 1/4" FNPT CONNECTIONS, 7-11" WC SPARGE GAS CONTROL
PRV-6306	1	FISHER 627 1" NPT 1/4" TRIM SET 70-150 PSI SWEET SERVICE
PSV-6100	1	2" NPT X 2" NPT SAFETY VALVE, STD, SET @ 1440PSI SOUR, TBD BY CLIENT
PSV-6200	1	1" X 1" NPT TAYLOR 8200 PRESS SAFETY VALVE STD, SET @ 25 PSI, SOUR
PSV-6300	1	1" X 1" NPT TAYLOR 8200 PRESS SAFETY VALVE STD, SET @ 250 PSI, SWEET
SDV-6201	1	TBD
TC-6200	1	TBD
TH-6200	1	WENCO MODEL TH-B, RELIEF HATCH 8 OZ PRESS, 0.4 OZ VACUUM SOUR
TI-6100	1	-40 TO 120F X 4" STEM, 3" DIAL c/w 304 SS THREMOWELL 3/4" X 1/2" X 4"
TI-6200	1	0 TO 500F X 4" STEM, 3" DIAL c/w 304 SS THREMOWELL 3/4" X 1/2" X 4"
TCV-6200	1	TBD

VALVE LIST

BALL VALVE	6	1" NAVCO C1 NPT 2000# RP BALL VALVE SS
BALL VALVE	4	3/4" NAVCO C1 NPT 2000# RP BALL VALVE SS
BALL VALVE	2	1/2" NAVCO C1 NPT 2000# RP BALL VALVE SS
BALL VALVE	1	1/4" NAVCO NPT 2000# RP BALL VALVE
NEEDLE VALVE	1	1/2" 6000# NEEDLE VALVE SS, FxF, NPT
NEEDLE VALVE	2	1/4" 6000# NEEDLE VALVE SS, FxF, NPT
CHECK VALVE	1	1" PISTON CHECK VALVE CLASS 800# SOCKET WELD, STD SOUR
GATE VALVE	8	1" GATE VALVE 800# CLASS SOCKET WELD, STD SOUR
GLOBE VALVE	2	1" GLOBE VALVE 800# CLASS SOCKET WELD, STD SOUR

ON HOLD VALVE LIST

BALL VALVE	3	1" NAVCO H1 NPT 2000# RP BALL VALVE C.S
BALL VALVE	5	1/2" NAVCO C1 NPT 2000# RP BALL VALVE SS
BALL VALVE	5	1/4" NAVCO NPT 2000# RP BALL VALVE
NEEDLE VALVE	7	1/4" 6000# NEEDLE VALVE SS, FxF, NPT
CHECK VALVE	1	1/4" SWING CHECK VALVE MIN FxF NPT WHEATLEY SOUR
CHECK VALVE	1	1/2" CHECK VALVE 2160 PSI WHEATLEY SOUR
GATE VALVE	2	1" GATE VALVE 800# CLASS SOCKET WELD, STD SOUR
GLOBE VALVE	2	1" GLOBE VALVE 800# CLASS SOCKET WELD, STD SOUR
Y-STRAINER	2	1" STRAINER 800# CLASS SOCKET WELD, STD SOUR

APPROVED FOR CONSTRUCTION

OCT 11 2017

DATE: _____

SIGNED: _____

REVISED

DESTROY ALL PREVIOUS COPIES

NOTES:

- TUBING FITTINGS: 316SST, PARKER A-FOR
- TUBING: 316SST, WELDED, 3/8" TO BE 0.035" WALL, 1/2" TO BE 0.049" WALL.
- ALL THREADED FITTING: 3000#, SA-105N
- ALL THREADED PROCESS PIPING: SCH.160, SA-106-B
SOCKET WELDING PIPING & FUEL GAS THREADED PIPING: SCH. 80/XH, SA-106-B
- BUTT WELDING PIPE: 2" SCH/160, 3" AND LARGER SCH 80, SA-106-B
- BUTT WELDING FITTING: SCHEDULE SAME AS PIPE, SA-234-WPB/SA-105N
- ALL GASKET FLEXICARB 316 SST, ALL BOLTING SA-193-B7M, SA-194-2HM
- BUTT WELDED PIPING: 100% X-RAY, PWHT, 0.125" C.A.
- PAINT SPEC: SURFACE PREP.: SSPC-SP#6 (COMMERCIAL BLAST)
- SKID AND PIPING PAINT:
- ONE COAT OF FAST PRIMER
- ONE COAT OF FINISH DTM F34 WARM GRAY
- BUILDING:
- 10'-0" WIDE X 18'-0" LONG, SHOP FIT EAVE, SELF FRAMER SHED STYLE
- EXTERIOR: GALVALUME
- INTERIOR: ALUMINUM
- R-12 INSULATION IN WALLS AND ROOF
- (2) 3'-0" x 7'-0" MAN DOORS c/w WIREGLASS, PANIC-LOCK
- (1) 40" x 40" SLIDING WINDOW c/w SCREEN LATCH
- (2) 12" x 12" SLIDING LOUVERS
- OVERALL DIMENSIONS: 25'-1"L x 11'-4"W x 33'-4"H
- SHIPPING DIMENSIONS: 22'-7"L x 11'-4"W x 12'-6"H
- SHIPPING WEIGHT: 27,500 lbs (12,474 kg)

QUALITY CONTROL

NOTES:

REV	DESCRIPTION	BY	DATE	CHK'D	APP'D
2	REVISED MTER-RUN AND PANTING/BUILDING NOTES	LL	17-10-11	BX	DG
1	REVISED AS NOTED	LL	17-09-01	BX	DG
0	ISSUED FOR CONSTRUCTION	LL	17-08-24	BX	DG

ENGINEER'S STAMP

DRAWN BY	EB	17-07-05
CHK'D BY	BX	17-07-05
APP'D BY	DG	17-07-05
CAD REF	30086-PID-02	SCALE NTS

CLIENT

STOCK




TITLE
24" OD X 28'-0" S/S 1440 PSI AB SOUR DEHY. PACKAGE
PIPING & INSTRUMENTATION DIAGRAM - BOM

JOB NO.	30086	DRAWING NO.	30086-PID-02	REV	2
---------	-------	-------------	--------------	-----	---

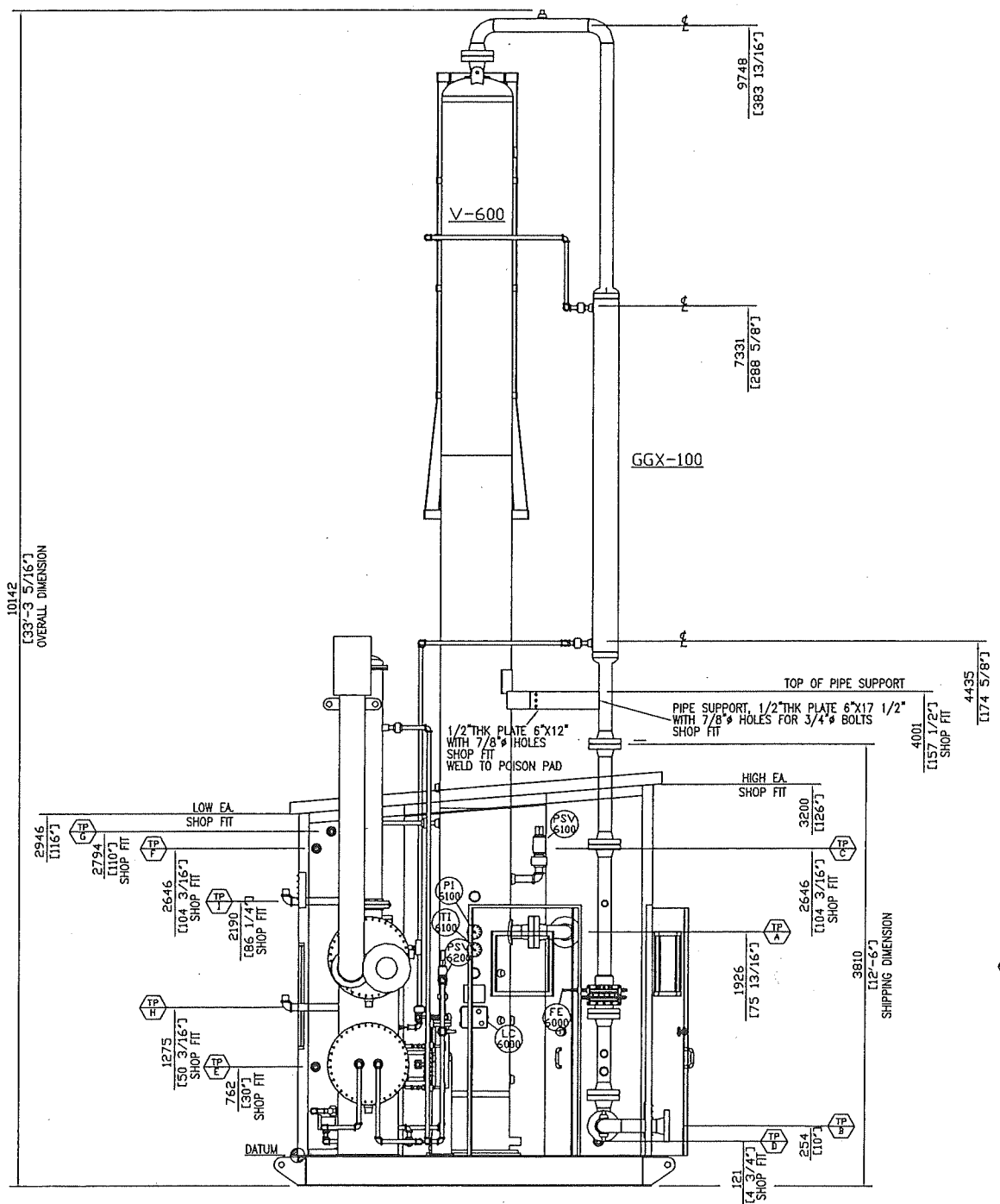
APPROVED FOR CONSTRUCTION

DATE: AUG 24 2017

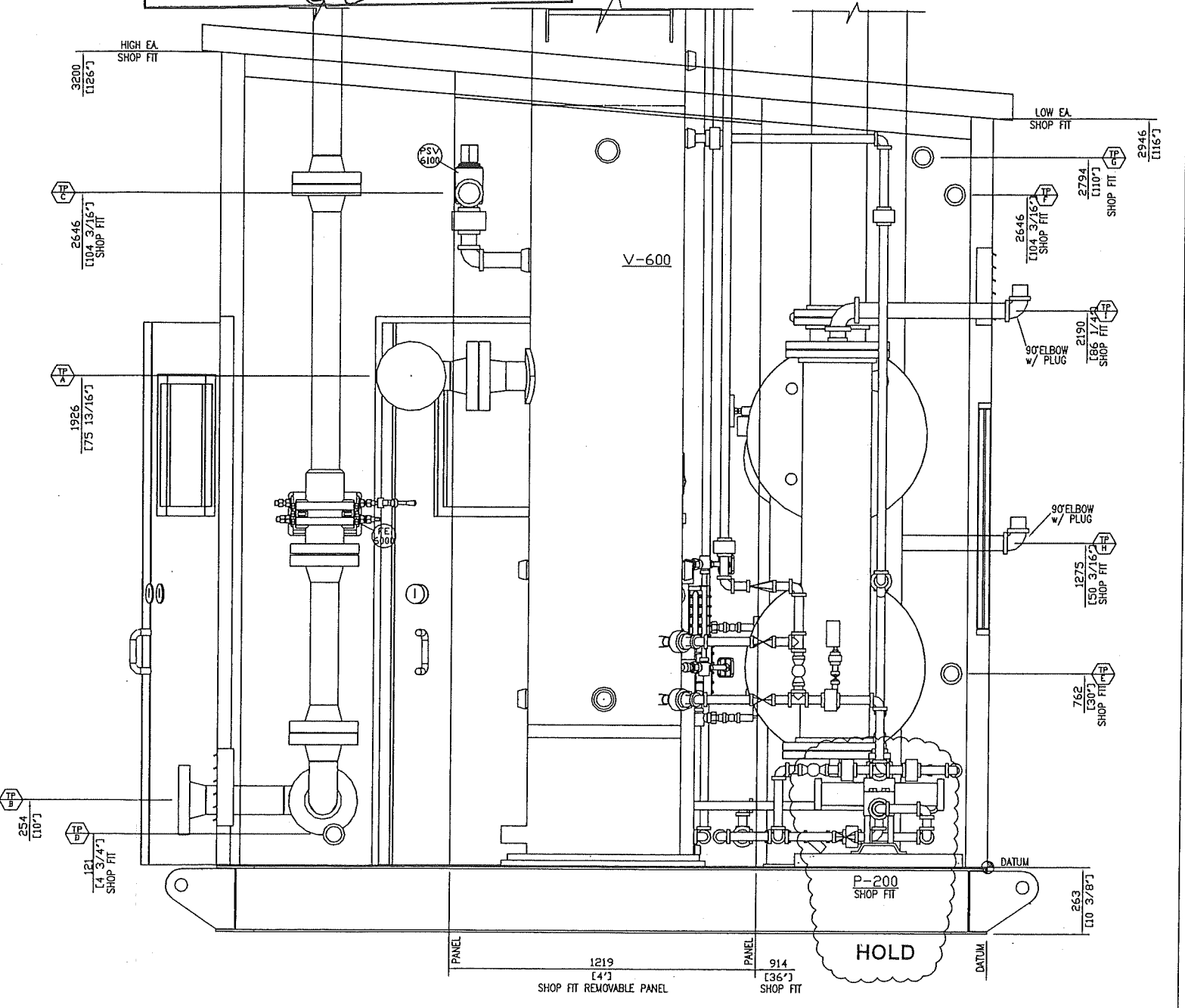
SIGNED: 

TIE-IN SCHEDULE			
MARK	SIZE / RATING	ELEVATION	DESCRIPTION
TP-A	4" 600# RF	75 13/16" [1926]	GAS INLET
TP-B	4" 600# RF	10" [254]	GAS OUTLET
TP-C	2" NPT	104 3/16" [2646]	PSV OUT
TP-D	1" NPT	4 3/4" [121]	LIQUID OUT
TP-E	1" NPT	30" [762]	SWEET FUEL GAS INLET
TP-F	1" NPT	104 3/16" [2646]	SCRUBBER PSV OUT
TP-G	1" NPT	110" [2794]	INSTRUMENT VENT HEADER
TP-H	2" NPT	50 3/16" [1275]	SURGE TANK FILL
TP-I	2" NPT	86 1/4" [2190]	REBOILER FILL

NOTE: ALL ELEVATION DIMENSIONS FROM TOP OF CHECKER PLATE.

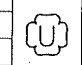


VIEW 'D-D'



VIEW 'C-C'

QUALITY CONTROL

NOTES:		ENGINEER'S STAMP				DRAWN BY		CLIENT	
GA-06	GENERAL ARRANGEMENT - NW ISOMETRIC VIEW					CL	15-10-20	 STOCK	TITLE 24" OD X 28'-0" 1440 PSI AB SOUR DEHY. PACKAGE GENERAL ARRANGEMENT - VIEW 'C-C' & 'D-D'
GA-04	GENERAL ARRANGEMENT - VIEW 'B-B'					BX	15-10-20		
GA-03	GENERAL ARRANGEMENT - VIEW 'A-A'					DG	15-10-20		
GA-02	GENERAL ARRANGEMENT - PLAN VIEW								
GA-01	GENERAL ARRANGEMENT - SW ISOMETRIC VIEW								
SKD-01	STRUCTURAL STEEL	0	ISSUED FOR CONSTRUCTION	CL	17-08-24	BX	DG		
PID-01	PIPING & INSTRUMENTATION DIAGRAM	A	ISSUED FOR EQUIPMENT LOCATION	CL	15-10-20	BX	DG		
	REFERENCE DRAWINGS	REV	DESCRIPTION	BY	DATE	CHK'D	APP'D		

PLATINUM ENERGY SERVICES ULC
A TRUSCO INDUSTRIAL COMPANY
CALGARY, ALBERTA

JOB NO. 30086
DRAWING NO. 30086-GA-05
REV 0

The information contained in this drawing is the confidential property of Platinum Energy Services ULC. No part thereof shall be reproduced or communicated to a third party without written authorization from Platinum Energy Services ULC.

