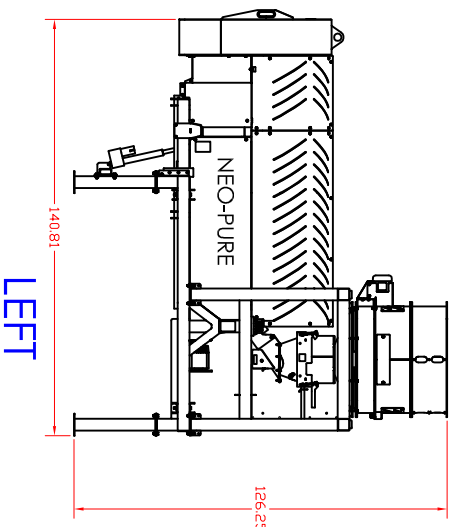
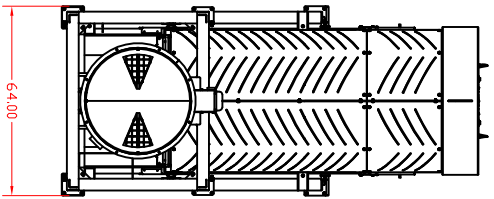


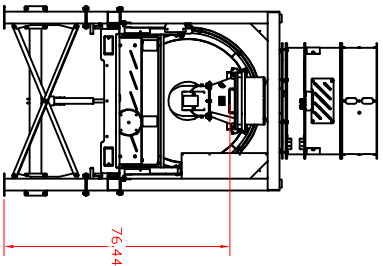
NEO-PURE APPLICATOR:

- 1) VOLTAGE = 460 VAC/3PH/60HZ
- 2) AMPS = 34 FLA @ 460 VAC
- 3) WEIGHT = 4,000 LBS

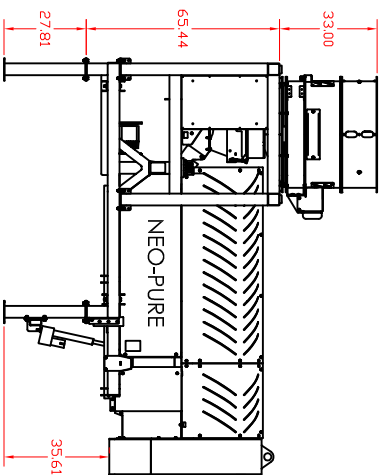
PLAN VIEW



LEFT



FRONT



RIGHT

1	2	3	4	5	6	7	8	9	10	11	12	13	14	15	16	17	18	19	20	21	22	23	24	25	26	27	28	29	30	31	32	33	34	35	36	37	38	39	40	41	42	43	44	45	46	47	48	49	50	51	52	53	54	55	56	57	58	59	60	61	62	63	64	65	66	67	68	69	70	71	72	73	74	75	76	77	78	79	80	81	82	83	84	85	86	87	88	89	90	91	92	93	94	95	96	97	98	99	100
AGRI-NEO													NEO-PURE APPLICATOR											Model NE1500 Dimensions																																																																											