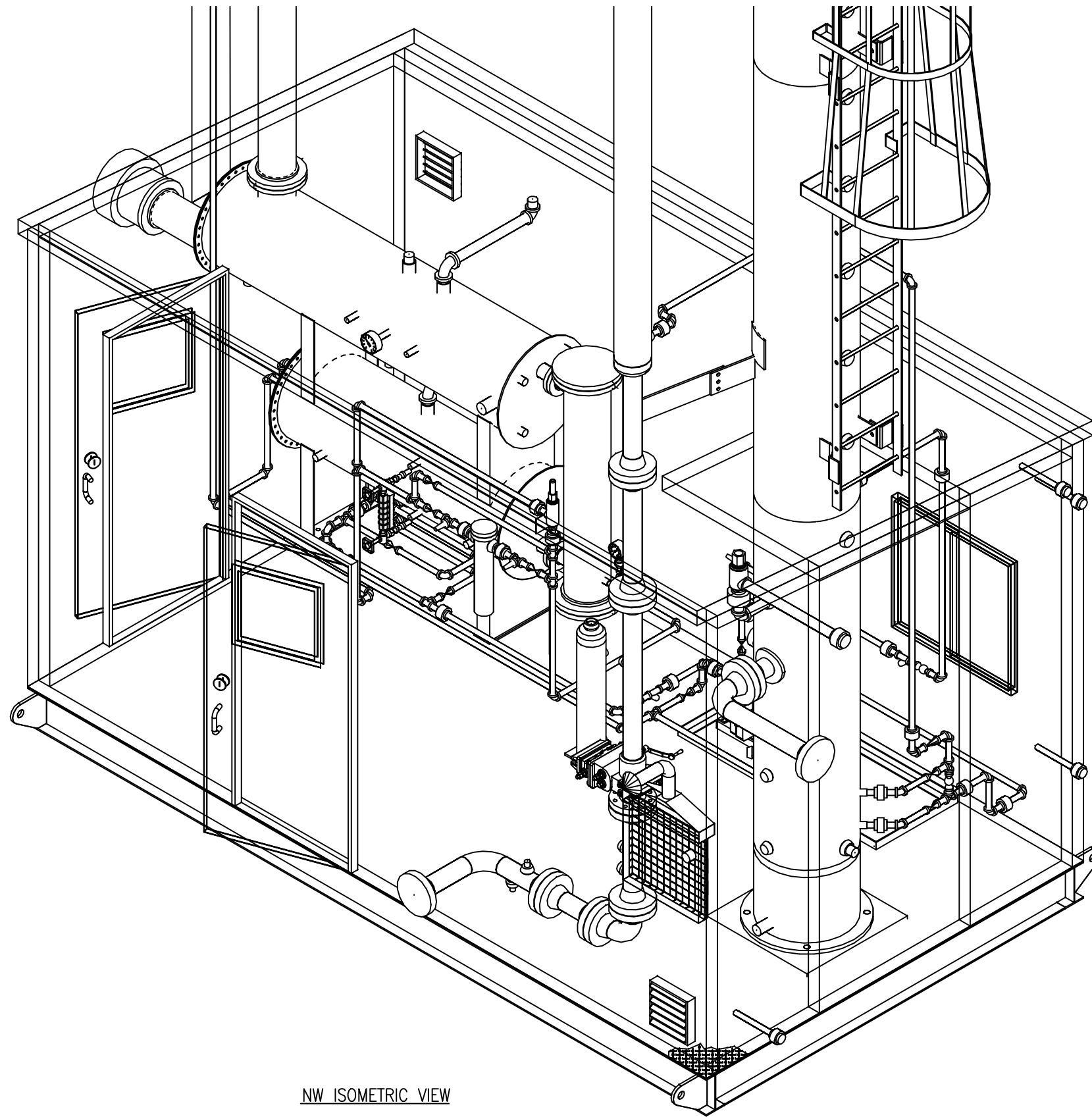


The information contained in this drawing is the confidential property of Platinum Energy Services U.L.C. No part thereof shall be reproduced or communicated to a third party without written authorization from Platinum Energy Services U.L.C.



NW ISOMETRIC VIEW

NOTES:

REFERENCE DRAWINGS	REV	DESCRIPTION	BY	DATE	CHK'D	APP'D
GA-05		GENERAL ARRANGEMENT - VIEW 'C-C' & D-D'				
GA-04		GENERAL ARRANGEMENT - VIEW 'B-B'				
GA-03		GENERAL ARRANGEMENT - VIEW 'A-A'				
GA-02		GENERAL ARRANGEMENT - PLAN VIEW				
GA-01		GENERAL ARRANGEMENT - SW ISOMETRIC VIEW				
SKD-01	0	STRUCTURAL STEEL	CL	17-08-24	BX	DG
PID-01	A	PIPING & INSTRUMENTATION DIAGRAM	CL	15-10-20	BX	DG
		ISSUED FOR CONSTRUCTION				
		ISSUED FOR EQUIPMENT LOCATION				

ENGINEER'S STAMP

DRAWN BY	CL	15-10-20
CHK'D BY	BX	15-10-20
APP'D BY	DG	15-10-20
CAD REF	30086-GA-06.DWG	SCALE AS SHOWN

CLIENT	STOCK
TITLE	24" OD X 28'-0" 1440 PSI AB SOUR DEHY. PACKAGE GENERAL ARRANGEMENT - NW ISOMETRIC VIEW
JOB NO.	30086
DRAWING NO.	30086-GA-06
REV	0

