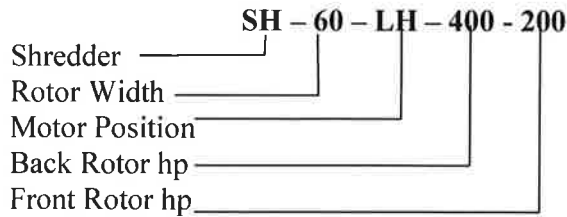


1. Identification



2. Designated Use

- 2.1. The Ring-R SH60 **Shredder** is exclusively designed for shredding paper fiber products.
- 2.2. Any use of the machine beyond the designated purpose is not allowed. Ring-R can not be held liable for any damage as a result of using the machine for anything other than the designated purpose. The risk of such use is taken by the operator.

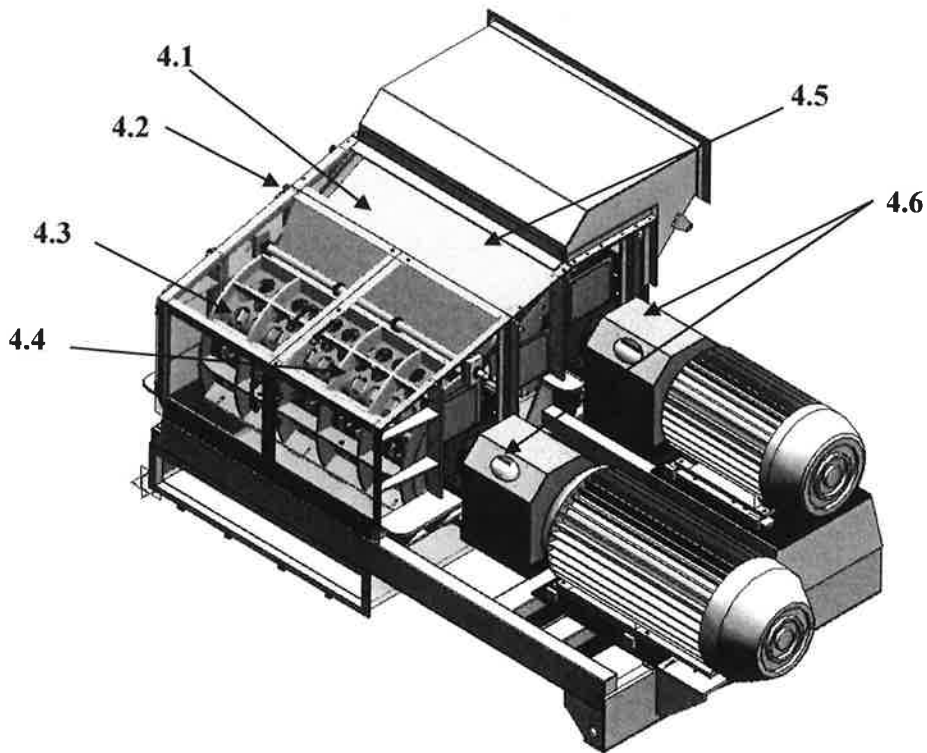
3. Characteristics

Project	60" Shredder
Operated by	SynerMucLh
Machine number	73384
Year of construction	2011
Dimensional drawing	See section 3.6. "Dimensions"
Spare part list	See section 10.3 "Spare Parts and Service"
Approximate weight	19,500 lbs
Power of Front Rotor	200 hp
Power of Rear Rotor	400 hp

4. General Overview

This machine consists of the following components

Number	Component Description
4.1	Front Rotor
4.2	Front Cage
4.3	Back Rotor
4.4	Back Cage
4.5	Housing Separator Plate
4.6	Couplers & Coupler Guards



3. Spare Parts list for Shredder SH60-LH-400-250

MECHANICAL PARTS:

B-LOC # B400IN x 3.9375	4	B-LOC # B400IN X 3.9375
Dodge # 3535 3-3/8	4	3535 3-3/8 W/KW TL Bushing for direct coupling motor
Dodge # PX140	2	PX140 Element for direct coupling motor
Dodge # PX140H TL3535	4	PX140H TL3535 Flange Assembly for direct coupling motor
NTN # SAFS22522 x 3- 15/16	4	Complete 4 Bolt Pillow Block Assembly; Steel Laybyrith seal; C3 fit bearing; (2) Expansion, (2) Non-Expansion
MCM # 1071A25	10	Weld-on Lift-off Hinge
MCM # 6436K18	72	Two Piece Clamp-On Collar, 1.0" Bore, 1-3/4" O.D.
MCM # 5996K22	2	Vibration Pads (18" x 18") 100 Psi
MCM # 6436K23	4	Two Piece Clamp-On Collar, 1.5" Bore, 2-3/8" O.D.
MCM # 80275A33	10	7" Grab Handles
MCM # 6381K301	4	Alloy 932, Bronze Plain Sleeve Bearing, 1-1/2" Shaft Dia.
MCM # 94827A036	4	3/4"-10 Heavy, Thick, Flex-Top Locknut (Back Cage Swing Bolt Nuts)
MCM # 93975A400	1	Steel Square Weld Nut with Projections 1/2"-13 Thread Size
MCM # 93975A300	1	Steel Square Weld Nut with Projections 3/8"-16 Thread Size
MSC # 82388091	3	3/4"-10 x 4-3/8" Jergens Swing Bolts
Jacobs # 1255502K156	342	1Set of Hammers (3) hole Mfg # 1255502K156 Balance 9 rods of 19 for Total Hammers 171 pcs\set.
Jacobs # 29935	36	1Set of Rods 1" x 60" Hardened Mfg# 29935 Total rods 18 pcs\set.

ELECTRICAL PARTS:

1	200 HP, TEFC, 575 V, 60 HZ, 3 PH, 1800 RPM, 445T Motor
1	400 HP, TEFC XRI, 575 V, 60 HZ, 3 PH, 1800 RPM, 449T Frame Motor